

EXPLORER 727

Getting started

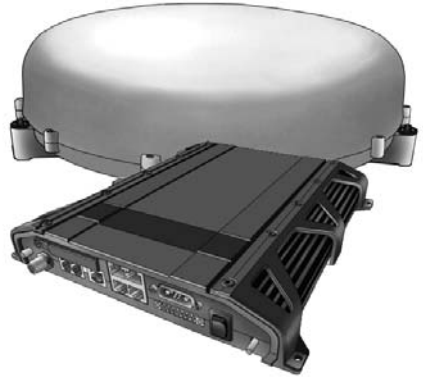


Getting started

Congratulations on the purchase of your EXPLORER 727.

Before you start, please check that the following items are present:

- EXPLORER 727 terminal or EXPLORER 727 19" Rack Terminal
- EXPLORER 727 antenna
- IP Handset & Cradle, wired
- Antenna cables for connecting the terminal with the antenna
- Cable Support
- LAN cable
- DC Power cable
- Getting started guide (this guide)
- CD with manuals



Mount the antenna

The antenna is designed to be mounted on the roof of a vehicle. There are three methods for mounting the antenna:

With roof rails:

Use the Roof Rail Mount Kit from Cobham SATCOM.

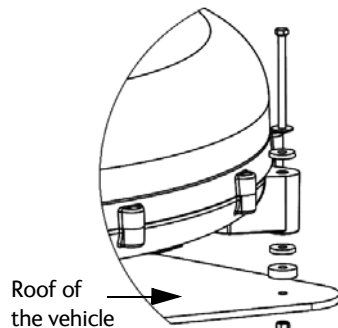
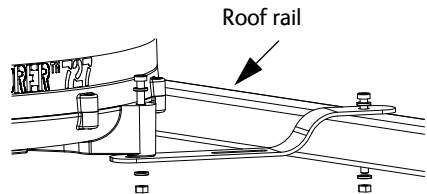
1. Mount the roof rail brackets on the 3 "legs" of the antenna.
2. Drill holes in the roof rails that will fit the roof rail brackets.
3. Fasten the brackets to the roof rails.

See the installation manual for details.

Directly on the roof:

1. Drill three 5 mm holes in the roof of the vehicle.
2. Mount the antenna using M5 bolts and spacers of min. 10 mm height.

See the installation manual for details.



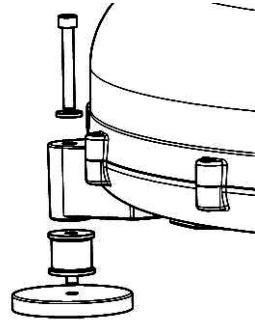
With magnetic mounts:

NOTE: Before using the magnetic mounts, first make sure the roof of the vehicle is made of a magnetizable material! Also wipe the surface clean before mounting the antenna, to improve the contact between the roof and the magnets and to avoid scratches in the surface of the roof.

Use the Magnetic Mount kit from Cobham SATCOM.

3. Mount the magnetic mounts on the 3 “legs” of the antenna according the installation manual.
4. Place the antenna on the roof of your vehicle.

Important! Cobham SATCOM (Thrane & Thrane A/S) assumes no liability for any damage caused by the antenna falling off the vehicle or stressing the mounting surface.



Insert the SIM card (provided by your Airtime Provider)

The SIM slot is located in the connector panel of the terminal.

1. Open the SIM cover.
2. Insert the SIM card into the SIM slot with the chip side facing up. Press gently until it clicks.
3. Slide the lock to secure the SIM card.
4. Close the SIM cover.



Mount the EXPLORER 727 Terminal

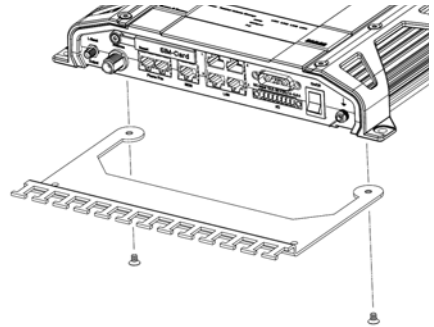
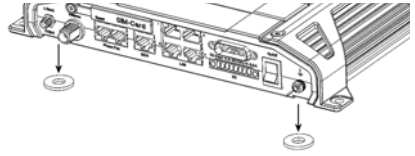
NOTE: This section does **not** apply to the 19" rack version of the terminal. The 19" rack version of the terminal is described in the next section.

If you need support for your cables, mount the Basic cable support on the terminal before installing the terminal in the vehicle. The Basic cable support is included in the **Accessories kit F/ Terminal, S-673738A**.

Do as follows:

1. Remove the two rubber feet under the terminal at the connector end.
2. Mount the cable support using the screws from the Basic cable support kit. (two M4 x 6 mm countersunk screws)
3. Mount the terminal with or without cable support in your vehicle, using 4 screws through the mounting holes in the corners of the terminal.

For further information, see the Installation manual for the EXPLORER 727.



Mount the EXPLORER 727 19" Rack Terminal

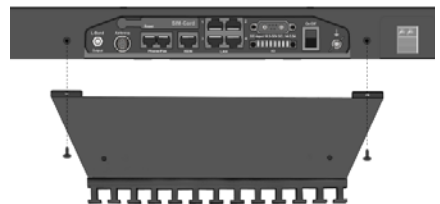
If you have the 19" Rack version of the EXPLORER 727, mount the terminal as follows:

1. Slide the terminal into a 1U space in a 19" rack.
2. Mount two screws in each side through the holes in the front and fasten the screws to the rack.

If you need support for your cables, mount the Strain Relief Bracket on the terminal. The Strain Relief Bracket is included in the **Accessories box Kit F/ FBB 19" rack, S-673738A-00510**.

To mount the strain relief bracket:

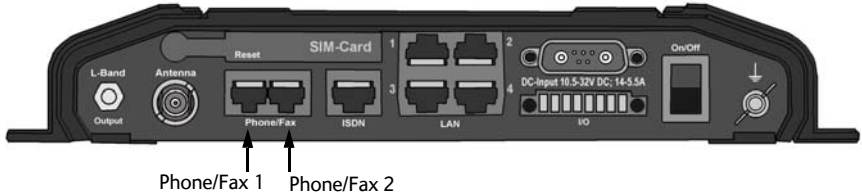
1. Remove the two screws in the connector panel and fasten the strain relief bracket to the terminal with the same two screws.



For further information, see the Installation manual for the EXPLORER 727.

Connect the cables

1. Connect the cable(s), including the antenna cable, to the relevant connector(s) on the EXPLORER 727 terminal.
2. Fasten the cables to the cable support if necessary.



The Phone/Fax connectors are not numbered on the terminal. For configuration, use the numbering indicated on the drawing above.

NOTE: If you are going to use the front power switch on the 19" rack version of the terminal, you must connect the green and orange wires from the power cable to the terminal block on the rear of the terminal.



Switch on the EXPLORER 727 terminal

Tip the power switch in the connector panel. The green power indicator in the LED panel lights up.



On the 19" rack version of the terminal tip the power switch in the front panel to switch on the terminal.

NOTE: The power switch in the connector panel must be on for the front switch to work.



Enter the PIN

NOTE: The below procedure is only needed if the SIM card for your terminal requires a PIN. You can enter the PIN from the IP Handset or from a computer with a browser accessing the built-in web interface. For information on how to access the web interface, see *Access the EXPLORER 727 web interface* on page 6.

To enter the PIN from the IP Handset, do as follows:

1. Connect the IP Handset to the terminal. The IP Handset automatically starts up. menu to see if the PIN has been accepted.
2. Select the BGAN menu.
3. If the PIN has not yet been entered in the terminal, select **ENTER PIN**.
Note that this menu item is not available if the PIN has already been entered nor if the use of PIN is disabled. If you are not sure, select **Status > PIN status** from the BGAN
4. Type in the Administrator name and password for the terminal. The default Administrator name is **admin** and the default password is **1234**
5. Type in the PIN and confirm with the center key.

To enter the PIN from the web interface, do as follows:





1. Connect a PC to the terminal using the LAN interface. The default IP address is http://192.168.0.1. If the PIN has not yet been entered in the terminal, the web interface will now prompt you for a PIN.
2. Start your Internet browser.
3. Enter the IP address of the terminal web interface in the address field.
4. Type in the PIN and click **OK**.

The EXPLORER 727 terminal now starts to establish a connection to the BGAN network.

Connect to the BGAN network

After connecting the antenna to the terminal and starting up the EXPLORER 727 terminal, the antenna starts searching for a BGAN satellite signal. When the PIN is entered, the EXPLORER 727 terminal attempts to register on the BGAN network.

The Antenna indicator shows the status as follows: (for information on the other indicators on the EXPLORER 727 terminal, see the User manual)

Indicator pattern		Meaning
	Green flashing	The antenna is booting or performing a sky scan.
	Green constant	The antenna is tracking and is ready for use.
	Orange constant	Temporary malfunction – user action required.
	Red constant	Antenna error (see the User manual)

By default, the terminal automatically searches for the satellite with the best signal. However, you can select a specific satellite to use when connecting to the BGAN network. Do as follows:

1. Connect a computer and open your browser.
2. Enter the web interface and select **SETTINGS > Satellite selection**.
3. Select the satellite you want to use and click **Apply**.

NOTE: If you select a specific satellite the EXPLORER 727 terminal will only search for the selected satellite. If you are outside coverage of that satellite, the terminal will not be able to register on the BGAN network.

When the EXPLORER 727 terminal is registered on the BGAN network and ready for use, the Antenna indicator and the Terminal indicator in the LED panel on top of the EXPLORER 727 terminal both show steady green light.

NOTE: Avoid unintended use of bandwidth. When the terminal is ready, it automatically activates the LAN interface. Be aware that if your computer uses automatic updates, it may be transmitting on the BGAN network without your knowledge. You can change the behavior of the LAN interface from the web interface, so that you have to activate the connection manually next time you start up the terminal. For further information, see the User Manual.



Make an internet connection

To make an Internet connection, simply connect the LAN cable between your computer and one of the LAN connectors on the terminal, and start up the EXPLORER 727 terminal as described in the beginning of this document.

When the EXPLORER 727 terminal is ready, the Antenna indicator and the Terminal indicator in the LED panel on top of the terminal light steady green. The LAN connection is then established automatically. You are now ready to browse the Internet, check e-mails, send files etc.

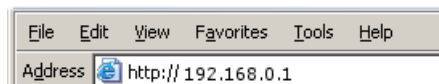
For information on configuration, refer to the User Manual.



Access the EXPLORER 727 web interface

You can access the EXPLORER 727 using the web interface. The web interface is used for configuration and daily use of the EXPLORER 727. To access the web interface, do as follows:

1. Connect a computer to the EXPLORER 727.
2. Start your Internet browser.
3. Enter the local IP address of the terminal (default **192.168.0.1**) in the address bar.



The web interface now opens in your browser. For information on how to use the web interface, see the user manual.

NOTE: To change the language of the web interface, select **SETTINGS > Language** and select your language from the list.

Start and stop data connections



You can start and stop data connections using the **IP Handset** or the **web interface**.

Using IP Handset

You can start and stop data sessions with a connected IP Handset with the local number 0501 (master handset). Do as follows:

1. From the BGAN menu, select **Connect**.
2. Use the left/right keys to find the network user group for the application you want to start or stop.
3. Use the up/down keys to select the connection you wish to start (Active) or stop (Inactive).
4. Press **Start** to start a connection, or press **Stop** to stop the connection.

NOTE: When running a Streaming session you are charged for the time you are connected. A started Streaming session will stay active until you stop it.

Using web interface

You can also start or stop data sessions from the Dashboard of the terminal's built-in web interface. For information on how to access the terminal's web interface, refer to *Access the EXPLORER 727 web interface* in the previous page.

Note that Streaming profiles must first be defined and activated in the LAN window of the web interface.

For further information, refer to the User Manual.

Make a voice call



To make a call from a phone connected to the EXPLORER 727 terminal, dial **00 <country code> <phone number> followed by #**.

Example: To call Cobham SATCOM in Denmark: (+45 39558800), dial 00 45 39558800 #

NOTE: There are two audio qualities: Standard voice and 3.1 kHz Audio. To force the call to use Standard voice, dial **1*** before the number. To force the call to use 3.1 kHz Audio, dial **2*** before the number.

To make a call to a phone connected to the EXPLORER 727 terminal, dial +870 <mobile number> (+ is the prefix to call out of the country you are located in).

NOTE: There are two voice numbers, one for 3.1 kHz Audio and one for Standard voice.

Make a local call

You can make local calls between phones connected to the same terminal.

To make a local call to an IP handset, dial the number of the IP handset (e.g. **0501**) followed by #.

To make a local call to an ISDN phone, dial **0401** or **0402** followed by #.

To make a local call to an analog phone, dial **0301** or **0302** followed by #.

For information on allocation of local numbers, refer to the User Manual.

Send a fax

To send a fax from the Phone/Fax interface of the terminal, dial
2* 00 <country code> <phone number> #

Example: Cobham SATCOM in Denmark: **2* 00 45 39558888 #**

“2*” forces the connection to use 3.1 kHz Audio. The connection uses Standard Audio by default.

When using the ISDN interface, dial **3*** before the number to force the connection to use UDI.

To send a fax to the terminal, dial **+870 <3.1 kHz Audio mobile number>**


Alternatively you can send a fax directly from your browser, using a “web fax” feature provided by an electronic fax provider.



Make an IP handset connection

To connect an IP Handset, do as follows:

1. Start up the EXPLORER 727 terminal.
2. Connect the LAN cable between the IP Handset cradle and one of the LAN/PoE connectors on the terminal. The handset starts up automatically.
3. If a PIN is required in order to access the terminal, enter the PIN as described in *Enter the PIN* on page 5. To see if a PIN is required, select **BGAN > PIN Status** in the IP Handset menu system.

When the top right corner of the display shows  you can make calls from the handset.

Disclaimer

Any responsibility or liability for loss or damage in connection with the use of this product and the accompanying documentation is disclaimed by Thrane & Thrane A/S. The information in this manual is provided for information purposes only, is subject to change without notice and may contain errors or inaccuracies. Manuals issued by Thrane & Thrane A/S are periodically revised and updated. Anyone relying on this information should acquire the most current version e.g. from www.cobham.com/satcom, Service and support, or from the distributor. Thrane & Thrane A/S is not responsible for the content or accuracy of any translations or reproductions, in whole or in part, of this manual from any other source. In the event of any discrepancies, the English version shall be the governing text.

Thrane & Thrane A/S is trading as Cobham SATCOM.

Copyright © 2015 Thrane & Thrane A/S. All rights reserved.

